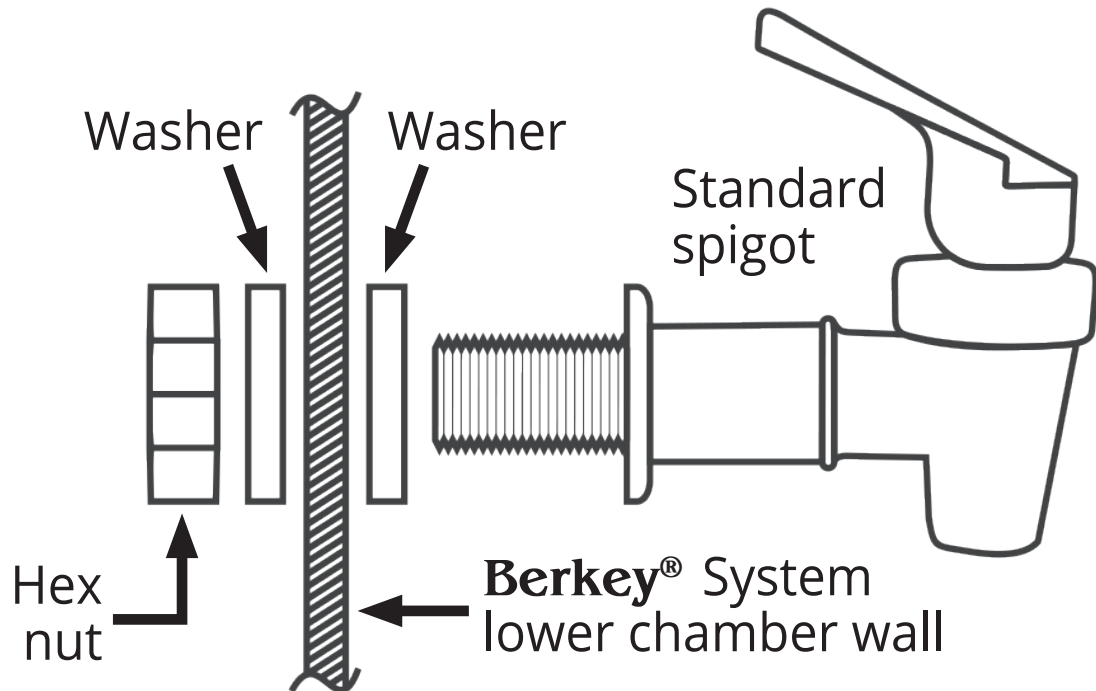


Berkey® Standard Spigot



Assembly Instructions

To assure a proper seal, place one washer on stem of spigot. Insert spigot into system and turn spigot counterclockwise to the 9 o'clock position.

Then, place the other washer on stem inside of the system, then the nut, and hand-turn nut until it is tight while holding spigot at the 9 o'clock position. Then, hold nut in place and rotate spigot clockwise until spigot is upright.



Berkey®

WATER SYSTEMS